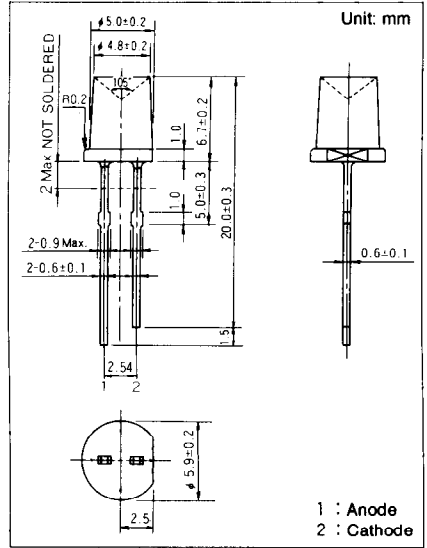


# 丸 形 Round Type

## φ 4.8mm Series

|          |                |
|----------|----------------|
| Type No. | Lighting Color |
| LN264CP  | Red            |
| LN364GCP | Green          |
| LN464YCP | Amber          |
| LN864RCP | Orange         |



### 絶対最大定格 Absolute Maximum Ratings (Ta=25 °C)

| Lighting Color | P <sub>D</sub> (mW) | I <sub>F</sub> (mA) | I <sub>FP</sub> (mA)* | V <sub>R</sub> (V) | T <sub>opr</sub> (°C) | T <sub>stg</sub> (°C) |
|----------------|---------------------|---------------------|-----------------------|--------------------|-----------------------|-----------------------|
| Red            | 70                  | 25                  | 150                   | 4                  | -25~+85               | -30~+100              |
| Green          | 90                  | 30                  | 150                   | 4                  | -25~+85               | -30~+100              |
| Amber          | 90                  | 30                  | 150                   | 4                  | -25~+85               | -30~+100              |
| Orange         | 90                  | 30                  | 150                   | 3                  | -25~+85               | -30~+100              |

\* I<sub>FP</sub>の条件は、duty 10%, Pulse width 1 msec. The condition of I<sub>FP</sub> is duty 10%, Pulse width 1 msec

### 電気的光学的特性 Electro-Optical Characteristics (Ta=25 °C)

| Type No. | Lighting Color | Lens Color  | I <sub>0</sub> |      |                | V <sub>F</sub> |      | λ <sub>p</sub> | Δλ   | I <sub>F</sub> | I <sub>R</sub> |      |
|----------|----------------|-------------|----------------|------|----------------|----------------|------|----------------|------|----------------|----------------|------|
|          |                |             | Typ.           | Min. | I <sub>F</sub> | Typ.           | Max. | Typ.           | Typ. |                | I <sub>F</sub> | Max. |
| LN264CP  | Red            | Clear       | 0.5            | 0.2  | 15             | 2.2            | 2.8  | 700            | 100  | 20             | 5              | 4    |
| LN364GCP | Green          | Green Clear | 2.0            | 0.7  | 20             | 2.2            | 2.8  | 565            | 30   | 20             | 10             | 4    |
| LN464YCP | Amber          | Amber Clear | 1.0            | 0.4  | 20             | 2.2            | 2.8  | 590            | 30   | 20             | 10             | 4    |
| LN864RCP | Orange         | Red Clear   | 1.0            | 0.4  | 20             | 2.1            | 2.8  | 630            | 40   | 20             | 10             | 3    |
| Unit     | —              | —           | mcd            | mcd  | mA             | V              | V    | nm             | nm   | mA             | μA             | V    |

